

Bolt Tensioning



CTST

Topside hydraulic bolt tensioner

Threaded insert

Contains a matching female thread to the bolt being tensioned.

Reliable seals

Proven seal technology ensures many 1000's of tool pressure cycles.

Piston stroke

15mm piston/ram stroke capability on models CTST 02 - CTST 06.

Versatile

Detachable and interchangeable bridge component.



Hydraulic connections
User configurable quick release connections.

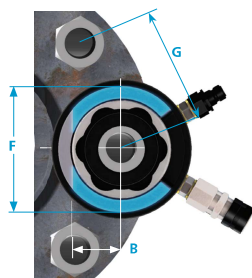
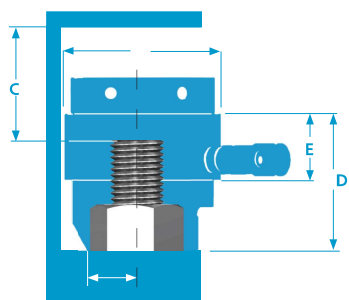
Nut Rotating Socket (NRS)
Fits around the bolted joint nut to allow for easy rotation.

Topside tensioners for several applications in multiple industries.

Atlas Copco CTST range of topside bolt tensioning tools comprises 6 base tools covering bolt sizes from 3/4" to 4" (M20 to M100). The tools are designed to fit on to most ANSI B16.5, ANSI B16.47 Series 1, MSS-SP44, API-6A and API-17D flanges. Each base tool can be converted for use with different bolt sizes using a conversion kit.



CTST bolt tensioners ordering numbers



Tool	Part No. Imperial	Thread Size		Part no. Metric	Bolt Load Kn	Stroke mm	Weight kg	A	B	C	D	E	F	G
		Inch	mm											
No 1	8434220070	3/4"-10UNC	M20x2.5	8434220071	2.0	10	2.0	21.0	67.00	71.0	62	49.5		
	8434220072	7/8"-9UNC	M22x2.5	8434220073	1.9		73.50	24.0	64.00	71.0	45	63	53	
	8434220074	1"-8UN	M24x3	8434220075	1.9			24.0	69.00	78.0	69	58.5		
	8434220076	1 1/8"-8UN	M27x3	8434220077	1.9			24.0	66.00	79.0	74	63.5		
No 2	8434220079	1 1/8"-8UN	M27x3	8434220080	4.8	15	4.6	27.0	85.50	92.0	82	67.5		
			M30x3.5	8434220082	4.9			32.0	85.00	93.0	85	69		
	8434220081	1 1/4"-8UN	M33x3.5	8434220083	4.6	102	4.6	31.0	84.00	95.0	54	85	72	
	8434220084	1 3/8"-8UN	M36x4	8434220085	4.6			34.0	84.00	98.0	91	78		
No 3	8834220086	1 1/2"-8UN	M39x4	8434220087	4.7			36.5	82.00	100.0	90	80		
	8834220089	1 1/2"-8UN	M39x4	8434220094	9.5			36.5	98.00	109.0	97	83.5		
	8434220090	1 5/8"-8UN	M42x4.5	8434220095	9.0			37.5	93.00	107.0	110	92.5		
	8434220091	1 3/4"-8UN	M45x4.5	8434220096	8.10	15	9.3	40.5	98.50	116.0	56	115	98	
No 4	8434220092	1 7/8"-8UN	M48x5	8434220097	9.0			42.5	95.00	116.0	116	101		
	8434220093	2"-8UN	M52x5	8434220098	8.6			50.0	93.50	117.0	120	106		
	8434220100	1 7/8"-8UN	M48x5	8434220103	16.1			43.5	106.00	118.0	130	108		
	8434220101	2"-8UN	M52x5	843422105	15.7			46.0	102.50	117.0	124	108		
No 5	8434220104	2 1/4"-8UN	M56x5.5	843422106	1273	15	15.8	55.0	103.00	123.0	57	134	118.5	
			M60x5.5	843422107	18.3			54.0	121.50	145.5	150	127		
	8434220102	2 1/2"-8UN	M64x6	843422108	15.1			58.0	102.50	130.0	147	130.5		
	8434220110	2 1/2"-8UN	M64x6	8434220113	22.7			64.0	107.50	133.0	147	130.5		
No 6	8434220111	2 3/4"-8UN	M72x6	8434220115	1829	15	23.6	80.0	111.00	141.0	60	160	138	
	8434220112	3"-8UN	M76x6	8434220116	24.7			72.0	115.00	147.0	161	143		
	8434220126	3"-8UN	M76x6	8434220120	22.2			77.0	108.00	146.0	170	153		
			M80x6	8434220130	38.5			77.0	120.00	153.0	170	153		
No 7	8434220125	3 1/4"-8UN	M85x6	8434220132	38.3			78.0	117.00	154.0	178	155.5		
	8434220127	3 1/2"-8UN	M90x6	8434220133	37.0			86.0	114.00	160.0	191	174.5		
	8434220128	3 3/4"-8UN	M95x6	8434220134	37.0			99.0	116.00	168.0	210	189.5		
	8434220129	4"-8UN	M100x6	8434220135	36.4			105.0	116.00	174.0	220	200		

CTST conversion kit ordering numbers

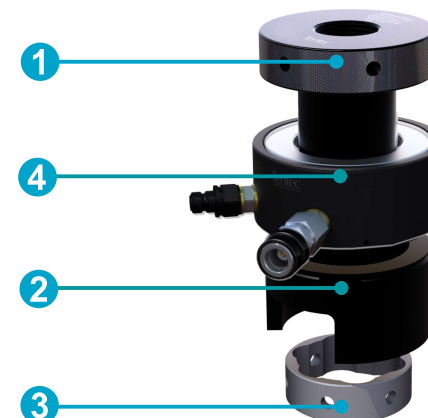
Conversion kits offer a very economical way to expand your inventory of bolt tensioning tools. Kits are available to convert an Atlas Copco CTST tensioner to suit an alternative bolt size within its size range.

Conversion Kits consist of three items:

- 1 Thread insert
- 2 Bridge piece
- 3 Nut rotating socket

You combine the conversion kit with:

- 4 Load cell



Tool No.	Load Cell Ordering No.	Metric description	Metric Ordering No.	Imperial description	Imperial Ordering No.
No.1	8434220069	M20x2.5	4222260002	3/4"-10UNC	4222260001
	8434220069	M22x2.5	4222260004	7/8"-9UNC	4222260003
	8434220069	M24x3	4222260006	1"-8UN	4222260005
	8434220069	M27x3	4222260008	1 1/8"-8UN	4222260007
No.2	8434220078	M27x3	4222260010	1 1/8"-8UN	4222260012
	8434220078	M30x3.5	4222260011		
	8434220078	M33x3.5	4222260013	1 1/4"-8UN	4222260009
	8434220078	M36x4	4222260015	1 3/8"-8UN	4222260014
No.3	8434220088	M39x4	4222260017	1 1/2"-8UN	4222260016
	8434220088	M42x4.5	4222260021	1 1/2"-8UN	4222260018
	8434220088	M45x4.5	4222260023	1 5/8"-8UN	4222260020
	8434220088	M48x5	4222260025	1 3/4"-8UN	4222260022
No.4	8434220088	M52x5	4222260027	1 7/8"-8UN	4222260024
	8434220099	M48x5	4222260029	2"-8UN	4222260026
	8434220099	M52x5	4222260031	1 7/8"-8UN	4222260028
	8434220099	M56x5.5	4222260033	2"-8UN	4222260030
No.5	8434220099	M60x5.5	4222260034	2 1/4"-8UN	4222260032
	8434220099	M64x6	4222260036	M64x6	4222260035
	8434220109	M64x6	8434220118	2 1/2"-8UN	4222260036
	8434220109	M68x6	8434220119	2 1/2"-8UN	8434220117
No.6	8434220109	M72x6	8434220121	2 3/4"-8UN	8434220120
	8434220109	M76x6	8434220123	3"-8UN	8434220122
	8434220124	M76x6	4222260038	3"-8UN	4222260037
	8434220124	M80x6	4222260039		
No.7	8434220124	M85x6	4222260041	3 1/4"-8UN	4222260040
	8434220124	M90x6	4222260043	3 1/2"-8UN	4222260042
	8434220124	M95x6	4222260045	3 3/4"-8UN	4222260044
	8434220124	M100x6	4222260047	4"-8UN	4222260046

You can order a complete tensioner for the stud size using the table above, or you can order load cells and conversion kits as needed. Many different configurations are available for our CTST bolt tensioners.