

Torcflex

Direct-Fit Range



Scan me to view the webpage!

The Torcflex Hydraulic Torque Wrench, best in class when it comes to safety and reliability.

The Torcflex low-profile hydraulic torque wrench is quick and easy to set-up and is perfect for those low clearance applications which are difficult to access.

The Torcflex wrench can be equipped with the co-axial or twin-line set-ups as standard. There are additional safety benefits and increased user efficiencies, with the retained link pin and support handle offered as standard.



TFX Series

Low profile hydraulic torque wrench

Atlas Copco TFX Series Low Profile Hydraulic Torque Wrenches eliminate problems with tight clearances, whilst increasing user efficiency.



Powerhead

Made from aircraft grade alloy for optimum strength to weight ratio. Can be used with legacy ratchet links.

Co-Axial Hose and Coupling

The launch of the Co-Axial coupling and hose system is an innovative solution to increase productivity and reduce fatigue of operator
Optional Traditional Twin Swivel version available.

Interchangeable Ratchet Link

Made from premium alloy steel for maximum durability. Interchangeable with RTX powerheads.

Reaction pawl

Reduces operator intervention and increases tightening speed.

Retained Link Pin

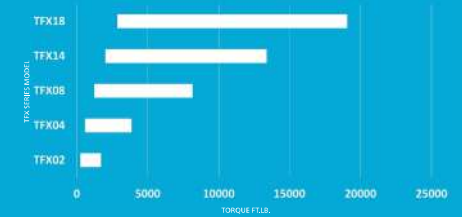
Patented design eliminates drop hazard and prevents accidental pin disengagement.

Thin Nose Radius

The use of premium grade steel allows the ratchet links to be optimised to allow fit onto low clearance applications.

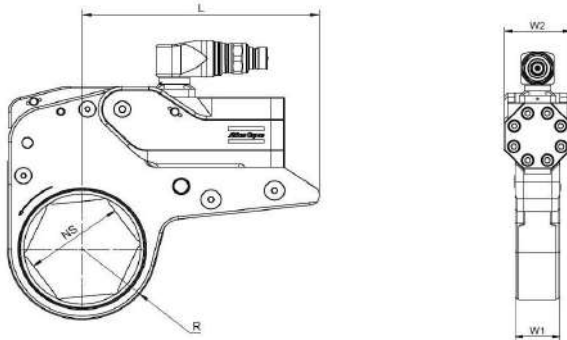
Support Handle

Each powerhead is supplied with an ergonomic support handle.



Ranges from 3/4" – 5 3/8"
15mm to 135mm AF

TFX Series technical information



Model	Dimensions					
	L		W1		W2	
	in	mm	in	mm	in	mm
TFX02	5.49	140	1.26	32	1.81	46
TFX04	7.5	191	1.68	43	2.40	61
TFX08	9.24	235	2.08	53	3.07	78
TFX14	11.23	285	2.48	63	3.62	92
TFX18	12.69	322	2.75	70	4.13	105

* TFX30 detail coming in Q3

Model	Ratchet Link Hex Size*		Torque Range		Weight (Powerhead Only)		Ordering No. Co-Axial/Twin
	in	mm	ft.lb.	Nm	lb	kg	
TFX02	3/4"-2-9/16"	15-65	257-1710	348-2318	2.47 / 2.89	1.12 / 1.31	8434 2406 68 / 8434 2419 75
TFX04	3/4" - 3-3/16"	15-80	579-3855	784-5227	4.32 / 4.72	1.96 / 2.14	8434 2411 47 / 8434 2419 76
TFX08	1 1/8" - 3-7/8"	30-100	1223-8151	1658-11051	7.25 / 7.63	3.29 / 3.46	8434 2417 87 / 8434 2420 70
TFX14	1 1/4" - 4-5/8"	32-120	2010-13400	2725-18168	11.24 / 11.62	5.1 / 5.27	8434 2424 02 / 8434 2424 05
TFX18	2 3/16" - 5 3/8"	55-135	2861-19074	3879-25861	15.26 / 15.61	6.92 / 7.08	8434 2427 13 / 8434 2427 32

Designs and specifications are subject to change without notice or obligation. Read all safety instructions in the manual before usage.

Choosing your TFX series hydraulic torque wrench

1

TFX Powerhead

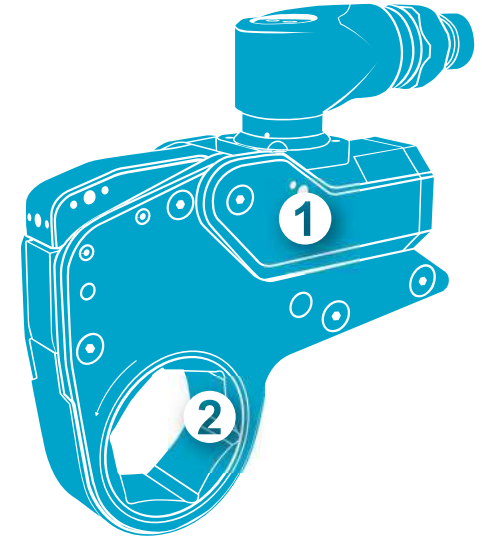
All TFX Powerheads are provided with the following equipment as standard:

1. Fully Adjustable Ergonomic Support Handle.
2. Retaining pin for legacy ratchet links.
3. Peli-style packaging and custom foam.
4. Do you want a Co-Axial connection or Twin-Line? All Powerheads can be supplied with both set-ups.

2

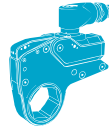
TL Direct Fit Ratchet Links

Choose the across flat hex link size needed for your application. Also supplied with a Peli-style packaging and custom foam.



Wide range of ratchet links designed to suit low clearance applications with a range of 5 power heads, torque outputs from 348 – 25861 Nm (257 – 19074 ft. lb).

Contact your local sales office for any special design or tool fit requirements.



TFX02 Ratchet link sizes

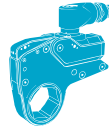
Nominal Hexagon A/F Inch Metric	Link Ref.	Nose Radius 'R' [in] (Decimal)	Nose Radius 'R' [mm] (Decimal)	Model	Ordering No.
15	#1	1.037	26.34	TL02-15MM	8434242653
17	#1	1.037	26.34	TL02-17MM	8434242505
3/4"	19	1.037	26.34	TL02-012/19MM	8434242506
13/16"	#1	1.037	26.34	TL02-013	8434242507
7/8"	22	1.037	26.34	TL02-014/22MM	8434242508
15/16"	24	1.037	26.34	TL02-24MM	8434242509
1"	#1	1.037	26.34	TL02-100	8434242510
1-1/16"	27	1.037	26.34	TL02-101/27MM	8434241763
1-1/8"	#1	1.037	26.34	TL02-102	8434242511
1-3/16"	30	1.118	28.40	TL02-103/30MM	8434242512
1-1/4"	32	1.118	28.40	TL02-104/32MM	8434241764
1-5/16"	#3	1.219	30.96	TL02-105	8434242513
	34	1.219	30.96	TL02-34MM	8434242514
1-7/16"	36	1.219	30.96	TL02-107/36MM	8434241765
1-1/2"	#4	1.329	33.76	TL02-108	8434242515
1-9/16"	#4	1.329	33.76	TL02-109	8434242516
1-5/8"	41	1.329	33.76	TL02-110/41MM	8434241766
1-11/16"	#5	1.436	36.47	TL02-111	8434242517
1-3/4"	#5	1.436	36.47	TL02-112	8434242518
1-13/16"	46	1.436	36.47	TL02-113/46MM	8434241767
1-7/8"	#6	1.548	39.32	TL02-114	8434242519
1-15/16"	#6	1.548	39.32	TL02-115	8434242520
	50	1.548	39.32	TL02-50MM	8434241901
2"	#6	1.548	39.32	TL02-200	8434241768
2-1/16"	#7	1.657	42.09	TL02-201	8434242522
2-1/8"	#7	1.657	42.09	TL02-202	8434242523
2-3/16"	55	1.657	42.09	TL02-203/55MM	8434241769
2-1/4"	#8	1.767	44.88	TL02-204	8434242524
	58	1.767	44.88	TL02-58MM	8434242525
2-5/16"	#8	1.767	44.88	TL02-205	8434242526
2-3/8"	#9	1.767	44.88	TL02-206/60MM	8434241770
2-7/16"	#9	1.877	47.68	TL02-207	8434242527
2-1/2"	#9	1.877	47.68	TL02-208	8434242528
2-9/16"	65	1.877	47.68	TL02-209/65MM	8434242451

Additional ratchet link sizes available upon request.

TFX04 Ratchet link sizes

Nominal Hexagon A/F Inch Metric	Link Ref.	Nose Radius 'R' [in] (Decimal)	Nose Radius 'R' [mm] (Decimal)	Model	PTD Ordering No.
15	#1	1.335	33.91	TL04-15MM	8434242529
17	#1	1.335	33.91	TL04-17MM	8434242530
3/4"	19	1.335	33.91	TL04-012/19MM	8434242531
13/16"	#1	1.335	33.91	TL04-013	8434242532
7/8"	22	1.335	33.91	TL04-014/22MM	8434242533
15/16"	24	1.335	33.91	TL04-24MM	8434242534
1"	#1	1.335	33.91	TL04-100	8434242535
1-1/16"	27	1.335	33.91	TL04-101/27MM	8434242536
1-1/8"	#1	1.335	33.909	TL02-102	8434242537
1-3/16"	30	1.335	33.91	TL04-103/30MM	8434242538
1-1/4"	32	1.335	33.91	TL04-104/32MM	8434242539
1-5/16"	#1	1.335	33.91	TL04-105	8434242540
1-7/16"	36	1.335	33.91	TL04-107/36MM	8434241771
1-1/2"	#2	1.444	36.68	TL04-108	8434242541
1-9/16"	#2	1.444	36.68	TL04-109	8434242542
1-5/8"	41	1.444	36.68	TL04-110/41MM	8434241772
1-11/16"	#3	1.552	39.42	TL04-111	8434242543
1-3/4"	#3	1.552	39.42	TL04-112	8434242544
1-13/16"	46	1.552	39.42	TL04-113/46MM	8434241773
1-7/8"	#4	1.662	42.21	TL04-114	8434242545
1-15/16"	#4	1.662	42.21	TL04-115	8434242546
	50	1.662	42.21	TL04-50MM	8434242072
2"	#4	1.662	42.21	TL04-200	8434241774
2-1/16"	#5	1.772	45.01	TL04-201	8434242547
2-1/8"	#5	1.772	45.01	TL04-202	8434242548
2-3/16"	55	1.772	45.01	TL04-203/55MM	8434241775
2-1/4"	#6	1.882	47.80	TL04-204	8434242549
	58	1.882	47.80	TL04-58MM	8434242550
2-5/16"	#6	1.882	47.80	TL04-205	8434242551
2-3/8"	#6	1.882	47.80	TL04-206/60MM	8434241776
2-7/16"	#7	1.991	50.57	TL04-207	8434242552
2-1/2"	#7	1.991	50.57	TL04-208	8434242553
2-9/16"	65	1.991	50.57	TL04-209/65MM	8434241777
2-5/8"	#8	2.101	53.37	TL04-210	8434242554
2-3/4"	70	2.101	53.37	TL04-212/70MM	8434241778
2-13/16"	#9	2.218	56.34	TL04-213	8434242555
2-15/16"	75	2.218	56.34	TL04-215/75MM	8434241779
3"	#10	2.331	59.21	TL04-300	8434242556
	77	2.331	59.21	TL04-77MM	8434242557
3-1/16"	78	2.331	59.21	TL04-301	8434242558
3-1/8"	80	2.331	59.21	TL04-302/80MM	8434241780
	#10	2.331	59.21	TL04-303	8434242559

Additional ratchet link sizes available upon request.



TFX08 Ratchet link sizes

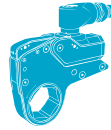
Nominal Hexagon A/F Inch	Hexagon Metric	Link Ref.	Nose Radius 'R' [in] (Decimal)	Nose Radius 'R' [mm] (Decimal)	Model	Ordering No.
1-1/8"		#1	1.777	45.14	TL08-102	8434242560
1-3/16"	30	#1	1.777	45.14	TL08-103/30MM	8434242561
1-1/4"	32	#1	1.777	45.14	TL08-104/32MM	8434242562
1-5/16"		#1	1.777	45.14	TL08-105	8434242563
1-7/16"	36	#1	1.777	45.14	TL08-107/36MM	8434242564
1-1/2"		#1	1.777	45.14	TL08-108	8434242565
1-9/16"		#1	1.777	45.14	TL08-109	8434242566
1-5/8"	41	#1	1.777	45.14	TL08-110/41MM	8434242567
1-11/16"		#1	1.777	45.14	TL08-111	8434242568
1-3/4"		#1	1.777	45.14	TL08-112	8434242569
1-13/16"	46	#1	1.777	45.14	TL08-113/46MM	8434242570
1-7/8"		#1	1.777	45.14	TL08-114	8434242571
1-15/16"		#1	1.777	45.14	TL08-115	8434242572
2"	50	#1	1.777	45.14	TL08-50MM	8434241805
2"		#1	1.777	45.14	TL09-200	8434242406
2-1/16"		#2	1.886	47.90	TL08-201	8434242573
2-1/8"		#2	1.886	47.90	TL08-202	8434242574
2-3/16"	55	#2	1.886	47.90	TL08-203/55MM	8434241806
2-1/4"		#3	1.995	50.67	TL08-204	8434242575
2-5/16"		#3	1.995	50.67	TL08-205	8434242576
2-3/8"	60	#3	1.995	50.67	TL08-206/60MM	8434241807
2-7/16"		#4	2.105	53.47	TL08-207	8434242577
2-1/2"		#4	2.105	53.47	TL08-208	8434242578
2-9/16"	65	#4	2.105	53.47	TL08-209/65MM	8434241808
2-5/8"		#5	2.215	56.26	TL08-210	8434242579
2-3/4"	70	#5	2.215	56.26	TL08-212/70MM	8434241809
2-13/16"		#6	2.332	59.23	TL08-213	8434242580
2-15/16"	75	#6	2.332	59.23	TL08-215/75MM	8434241810
3"		#7	2.445	62.10	TL08-300	8434242581
3"	77	#7	2.445	62.10	TL08-77MM	8434242582
3-1/16"	78	#7	2.445	62.10	TL08-78MM	8434242583
3-1/8"	80	#7	2.445	62.10	TL08-80/80MM	8434242584
3-1/8"	85	#8	2.567	65.20	TL08-85MM	8434241812
3-3/8"		#8	2.567	65.20	TL08-306	8434242585
3-1/2"		#9	2.673	67.89	TL08-308	8434241813
3-1/2"	90	#9	2.673	67.89	TL08-90MM	8434241814
3-5/8"		#10	2.797	71.04	TL08-310	8434242586
3-3/4"	95	#10	2.797	71.04	TL08-312/95MM	8434241815
3-7/8"		#11	2.900	73.66	TL08-314	8434241816
3-7/8"	100	#11	2.900	73.66	TL08-100MM	8434241817

Additional ratchet link sizes available upon request.

TFX14 Ratchet link sizes

Nominal Hexagon A/F Inch	Hexagon Metric	Link Ref.	Nose Radius 'R' [in] (Decimal)	Nose Radius 'R' [mm] (Decimal)	Model	Ordering No.
1-1/4"	32	#1	2.331	59.21	TL14-104/32MM	8434242587
1-1/2"		#1	2.331	59.21	TL14-108	8434242588
1-9/16"		#1	2.331	59.21	TL14-109	8434242589
1-5/8"	41	#1	2.331	59.21	TL14-110/41MM	8434242590
1-11/16"		#1	2.331	59.21	TL14-111	8434242591
1-3/4"		#1	2.331	59.21	TL14-112	8434242592
1-13/16"	46	#1	2.331	59.21	TL14-113/46MM	8434242593
1-7/8"		#1	2.331	59.21	TL14-114	8434242594
2"	50	#1	2.331	59.21	TL14-50MM	8434242595
2"		#1	2.331	59.21	TL14-200	8434242596
2-3/16"	55	#1	2.331	59.21	TL14-203/55MM	8434242597
2-1/4"		#1	2.331	59.21	TL14-204	8434242598
2-3/8"	60	#1	2.331	59.21	TL14-206/60MM	8434242599
2-1/2"		#1	2.331	59.21	TL14-208	8434242600
2-9/16"	65	#1	2.331	59.21	TL14-209/65MM	8434242601
2-5/8"		#1	2.331	59.21	TL14-210	8434242602
2-3/4"	70	#1	2.331	59.21	TL14-212/70MM	8434242134
2-13/16"		#2	2.447	62.15	TL14-213	8434242603
2-15/16"	75	#2	2.447	62.15	TL14-215/75MM	8434242135
3"		#3	2.561	65.05	TL14-300	8434242604
3"	77	#3	2.561	65.05	TL14-77MM	8434242605
3-1/16"	78	#3	2.561	65.05	TL14-301	8434242606
3-1/8"	80	#3	2.561	65.05	TL14-302/80MM	8434242136
3-1/8"		#4	2.682	68.12	TL14-303	8434242607
3-3/8"	85	#4	2.682	68.12	TL14-85MM	8434242137
3-3/8"		#4	2.682	68.12	TL14-306	8434242608
3-1/2"		#5	2.788	70.82	TL14-308	8434242138
3-1/2"	90	#5	2.788	70.82	TL14-90MM	8434242139
3-5/8"		#6	2.913	73.99	TL14-310	8434242609
3-11/16"		#6	2.913	73.99	TL14-311	8434242610
3-3/4"	95	#6	2.913	73.99	TL14-312/95MM	8434242140
3-7/8"		#7	3.015	76.58	TL14-314	8434242141
3-7/8"	100	#7	3.015	76.58	TL14-100MM	8434242142
4-1/16"		#8	3.132	79.55	TL14-401	8434242611
4-1/8"		#8	3.132	79.55	TL14-402	8434242612
4-3/16"		#9	3.246	82.45	TL14-403	8434242613
4-1/4"		#9	3.246	82.45	TL14-404	8434242144
4-1/4"	110	#9	3.246	82.45	TL14-110MM	8434242145
4-1/2"		#10	3.473	88.20	TL14-408	8434242614
4-5/8"		#10	3.473	88.20	TL14-115MM	8434242146
4-5/8"		#10	3.473	88.20	TL14-410	8434242147
4-5/8"	120	#10	3.473	88.20	TL14-120MM	8434242148

Additional ratchet link sizes available upon request.



TFX18 Ratchet link sizes

Nominal Inch	Hexagon A/F Metric	Link Ref.	Nose Radius 'R' [in] (Decimal)	Nose Radius 'R' [mm] (Decimal)	Model	Ordering No.
2-3/16"	55	#1	2.572	65.32	TL18-203/59MM	8434242615
2-1/4"		#1	2.572	65.32	TL-204	8434242616
2-3/8"	60	#1	2.572	65.32	TL18-206/60MM	8434242617
2-1/2"		#1	2.572	65.32	TL18-208	8434242618
2-9/16"	65	#1	2.572	65.32	TL18-209/65MM	8434242619
2-5/8"		#1	2.572	65.32	TL18-210	8434242620
2-3/4"	70	#1	2.572	65.32	TL18-212/70MM	8434242621
2-13/16"		#1	2.572	65.32	TL18-213	8434242621
2-15/16"	75	#1	2.572	65.32	TL18-215/75MM	8434242622
3"		#1	2.572	65.32	TL18-300	8434242622
	77	#2	2.685	68.20	TL18-77MM	8434242623
3-1/16"	78	#2	2.685	68.20	TL18-301	8434242624
3-1/8"	80	#2	2.685	68.20	TL18-302/80MM	8434242625
3-3/16"		#3	2.913	73.98	TL18-303	8434242625
	85	#3	2.913	73.98	TL18-85MM	8434242626
3-3/8"		#3	2.913	73.98	TL18-306	8434242626
3-1/2"		#3	2.913	73.98	TL18-308	8434242626
	90	#3	2.913	73.98	TL18-90MM	8434242627
3-5/8"		#4	3.140	79.74	TL18-310	8434242627
3-11/16"		#4	3.140	79.74	TL18-311	8434242628
3-3/4"	95	#4	3.140	79.74	TL18-312/95MM	8434242628
3-7/8"		#4	3.140	79.74	TL18-314	8434242629
	100	#4	3.140	79.74	TL18-100MM	8434242629
4-1/16"		#5	3.371	85.61	TL18-401	8434242629
4-1/8"		#5	3.371	85.61	TL18-402	8434242630
	105	#5	3.371	85.61	TL18-105MM	8434242630
4-3/16"		#5	3.371	85.61	TL18-403	8434242631
4-1/4"		#5	3.371	85.61	TL18-404	8434242631
	110	#5	3.371	85.61	TL18-110MM	8434242632
4-1/2"		#6	3.598	91.39	TL18-408	8434242632
	115	#6	3.598	91.39	TL18-115MM	8434242633
4-5/8"		#6	3.598	91.39	TL18-410	8434242633
	120	#7	3.816	96.91	TL18-120MM	8434242634
		#7	3.816	96.91	TL18-500	8434242634
	130	#8	3.985	101.22	TL18-130MM	8434242635
	135	#8	3.985	101.22	TL18-135MM	8434242635
5-3/8"		#8	3.985	101.22	TL18-506	8434242635

Additional ratchet link sizes available upon request.

TFX30 Ratchet link sizes

Nominal Inch	Hexagon A/F Metric	Link Ref.	Nose Radius 'R' [in] (Decimal)	Nose Radius 'R' [mm] (Decimal)	Model	Ordering No.
2-9/16"	65	#1	3.029	76.94	TL30-209/65MM	8434242633
2-5/8"		#1	3.029	76.94	TL30-210	8434242634
2-3/4"	70	#1	3.029	76.94	TL30-212/70MM	8434242635
2-13/16"		#1	3.029	76.94	TL30-213	8434242636
2-15/16"	75	#1	3.029	76.94	TL30-215/75MM	8434242637
3"		#1	3.029	76.94	TL30-300	8434242638
	77	#1	3.029	76.94	TL30-77MM	8434242639
3-1/16"	78	#1	3.029	76.94	TL30-301	8434242640
3-1/8"	80	#1	3.029	76.94	TL30-302/80MM	8434242641
3-3/16"		#1	3.029	3.029	TL30-303	8434242642
	85	#1	3.029	76.94	TL30-85MM	8434242643
3-3/8"		#1	3.029	76.94	TL30-306	8434242643
3-1/2"		#1	3.029	76.94	TL30-308	8434242644
	90	#2	3.256	82.70	TL30-90MM	8434242644
3-5/8"		#2	3.256	82.70	TL30-310	8434242644
3-11/16"		#2	3.256	82.70	TL30-311	8434242645
3-3/4"	95	#2	3.256	82.70	TL30-312/95MM	8434242645
3-7/8"		#2	3.256	82.70	TL30-314	8434242646
	100	#2	3.256	82.70	TL30-100MM	8434242646
4-1/16"		#3	3.487	88.57	TL30-401	8434242646
4-1/8"		#3	3.487	88.57	TL30-402	8434242647
	105	#3	3.487	88.57	TL30-105MM	8434242647
4-3/16"		#3	3.487	88.57	TL30-403	8434242648
4-1/4"		#3	3.487	88.57	TL30-404	8434242648
	110	#3	3.487	88.57	TL30-110MM	8434242649
4-1/2"		#4	3.713	94.31	TL30-408	8434242649
	115	#4	3.713	94.31	TL30-115MM	8434242649
4-5/8"		#4	3.713	94.31	TL30-410	8434242650
	120	#5	3.941	100.10	TL30-120MM	8434242650
		#5	3.941	100.10	TL30-500	8434242650
	130	#6	4.101	104.17	TL30-130MM	8434242651
	135	#6	4.101	104.17	TL30-135MM	8434242651
5-3/8"		#6	4.101	104.17	TL30-506	8434242651
	140	#7	4.320	109.73	TL30-140MM	8434242652
	145	#7	4.320	109.73	TL30-145MM	8434242652
5-3/4"		#7	4.320	109.73	TL30-512	8434242652
	150	#8	4.537	115.24	TL30-150MM	8434242653
5-15/16"		#8	4.537	115.24	TL30-515	8434242653
6-1/8"	155	#8	4.537	115.24	TL30-602/155MM	8434242653

Additional ratchet link sizes available upon request.